

# HIGH END

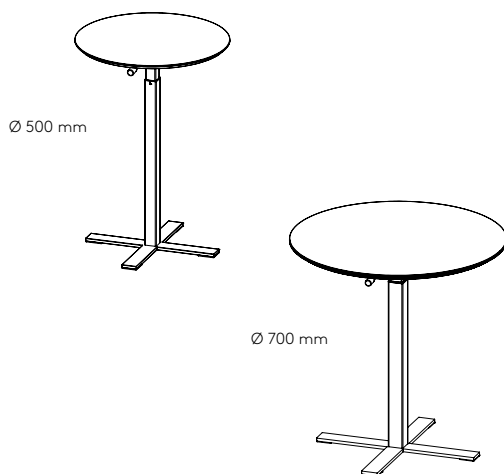
BY SWEDSTYLE



## SINGLE PEDESTAL

COLORS		DIMENSIONS (WXD)	ART. NO.
Black	●	ø700 mm ø500 mm	5031256 5031556
White	○	ø700 mm ø500 mm	5031266 5031566
Silver	●	ø700 mm ø500 mm	5031286 5031586

A table of endless possibilities. The Single Pedestal functions as the perfect speaker podium, side- or coffee table. Height-adjustable and available in several different sizes – the only limit is your imagination. Despite its small size, it is very stable. The square legs combined with the solid, crossed foot give it a quality impression. In harmony with the white tabletop, featuring a visible plywood core, Single Pedestal exudes a calm and harmonious look and feel that blends into all environments.



### SPECIFICATIONS:

Adjustable height	Yes
Powered by	Gas
Height	600 - 1050 mm
Lift capacity	-
Speed	-
Standby power	-
Noise level	-
Duty cycle	-
Paintwork	Lacquer finish
Area of use	Indoor (+5° to +30° C)
Lifetime	-
Weight	10 kg
Table top finish	Vit laminate/plywood